

NOTES GÉNÉRALES / GENERAL NOTES

1. DIMENSIONS ARE IN METERS UNLESS SPECIFIED OTHERWISE
2. WASTE ROCK AND OVERBURDEN STORAGE FACILITY 3 WAS DESIGNED TO STORE 2.1 Mm³ OF OVERBURDEN AND 6.5 Mm³ OF WASTE ROCK
3. OVERBURDEN THICKNESS AROUND CP2 AREA IS ASSUMED TO BE 4.0 m. THE ACTUAL OVERBURDEN THICKNESS TO BE DETERMINED DURING FUTURE SITE INVESTIGATION PROGRAMS
4. CP2 WAS DESIGNED TO STORE 3/ 7 OF EQUIVALENT UNIT RUNOFF DURING SPRING FRESHET FOR 1 IN 100 WET YEAR (73.3 mm)
5. CHANNELS (CHANNEL9 AND CHANNEL10) WERE DESIGNED TO PASS AN EXTREME INTENSITY FLOW UNDER A 5-MINUTE 1 IN 100 RETURN RAINFALL (5.0 mm).

INFORMATION D'ORDRE EST LA PROPRIÉTÉ DE AGNICO EAGLE LTD ET DOIT ÊTRE RETENUE PAR VOUS. SANS AUTORISATION ÉCRITE, VOUS NE POUVEZ PAS REPRODUIRE, COPIER, ACHETER, VENDRE, DISTRIBUER, LOUER, CÉDER, NI COMMUNIQUER LES DÉRIVÉS DE CE DOCUMENT À UN TIERCE PARTIE. VOUS ÊTES RESPONSABLES DE VÉRIFIER LA PRÉCISION DE TOUTES LES DONNÉES FOURNIES PAR VOUS-MÊMES. AGNICO EAGLE LTD NE GARANTIT PAS LA PRÉCISION DE TOUTES LES DONNÉES FOURNIES PAR VOUS-MÊMES. VOUS ÊTES RESPONSABLES DE VÉRIFIER LA PRÉCISION DE TOUTES LES DONNÉES FOURNIES PAR VOUS-MÊMES. VOUS ÊTES RESPONSABLES DE VÉRIFIER LA PRÉCISION DE TOUTES LES DONNÉES FOURNIES PAR VOUS-MÊMES.

DESSINS EN RÉFÉRENCE / REFERENCE DRAWINGS

TITRE / TITLE	# DWG



REV.	DATE	ISSUED FOR USE	DESCRIPTION	CHK	NG

REVISIONS

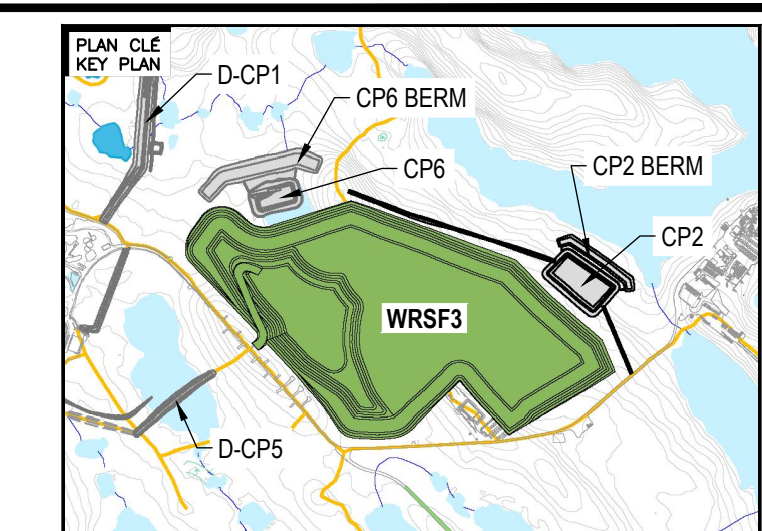
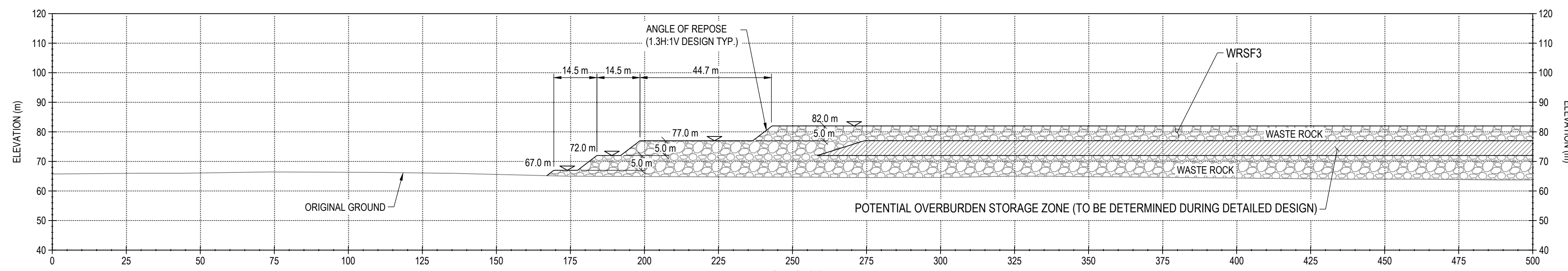
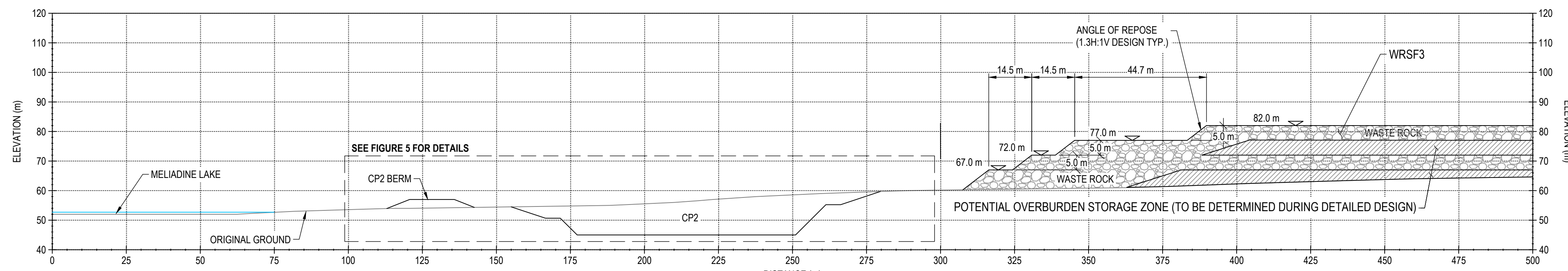
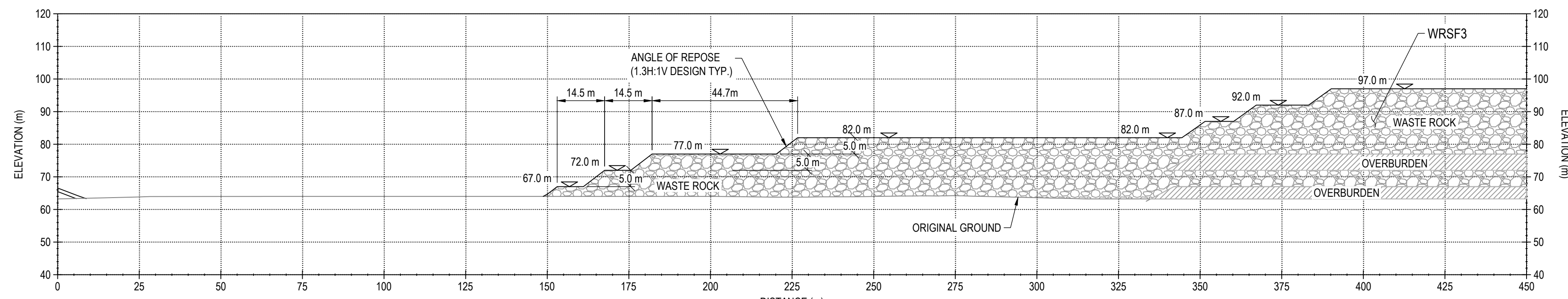
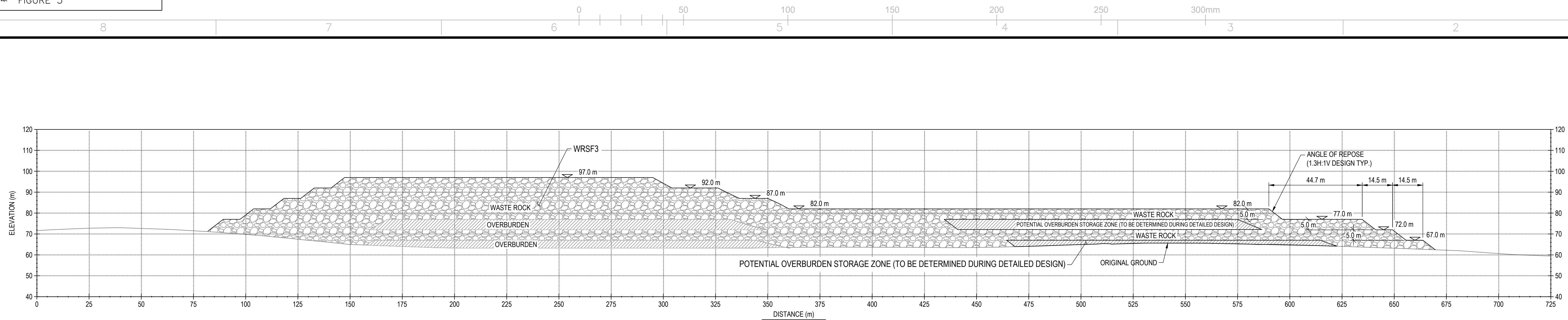
TITRE / TITLE
 AGNICO EAGLE MELIADINE GOLD PROJECT
 JULY 2020 WATER LICENSE AMENDMENT
 PLAN VIEW SHOWING
 WRSF3, CP2, CP2 BERM,
 AND CHANNELS 9 AND 10

DESSINÉ PAR DRAWN BY	EL	DATE 2020-07-03
VERIFIÉ PAR CHECKED BY	HX	2020-07-03
APPROUVÉ PAR APPROVED BY	NG	2020-07-03

ÉCHELLE / SCALE: 1:2500 DATE: 2020-07-03

NO. DESSIN DRAWING NO. FIGURE 2

NO. PROJET PROJECT NO.	REVISION	FEUILLE / SHÉ
6515	0	2 / 5



NOTES GÉNÉRALES / GENERAL NOTES

- DIMENSIONS ARE IN METERS UNLESS SPECIFIED OTHERWISE
- WASTE ROCK AND OVERBURDEN STORAGE FACILITY 3 WAS DESIGNED TO STORE 2.1 Mm³ OF OVERBURDEN AND 6.5 Mm³ OF WASTE ROCK
- OVERBURDEN STORAGE ZONE TO BE DETERMINED DURING DETAILED DESIGN STAGE
- TYPICAL SIDE SLOPE OF WASTE ROCK LAYER: 1.3H:1V (ANGLE OF REPOSE FOR WASTE ROCK 37°)

INFORMATION CONTAINED HEREIN IS THE PROPERTY OF AGNICO EAGLE LTD. AND MUST BE RETURNED UPON REQUEST. WITHOUT WRITTEN PERMISSION, NO COPYING, TRANSMISSION, TO OTHERS AND ANY USE EXCEPT THAT FOR WHICH IT IS ISSUED ARE PROHIBITED. © AGNICO EAGLE LTD.

DESSINS EN RÉFÉRENCE / REFERENCE DRAWINGS

TITRE / TITLE	# DWG



REV.	DATE	ISSUED FOR USE	DESCRIPTION	CHK	NG
0	07/22/20	ISSUED FOR USE		HX	NG

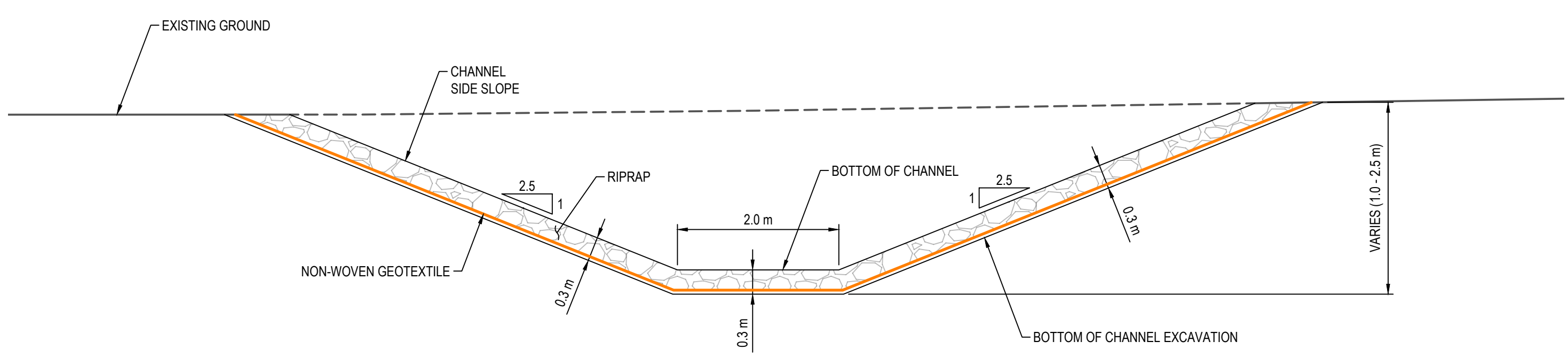
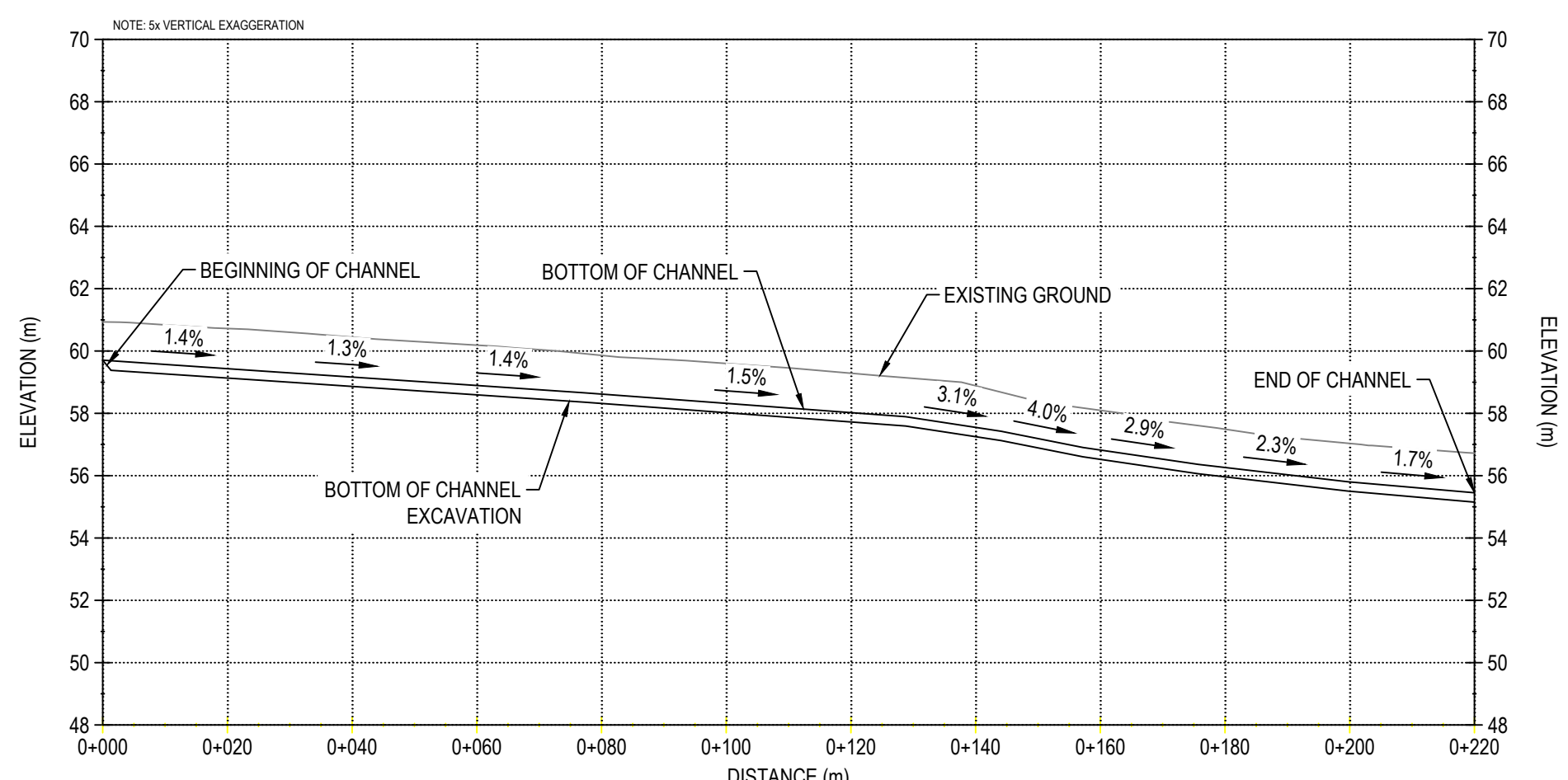
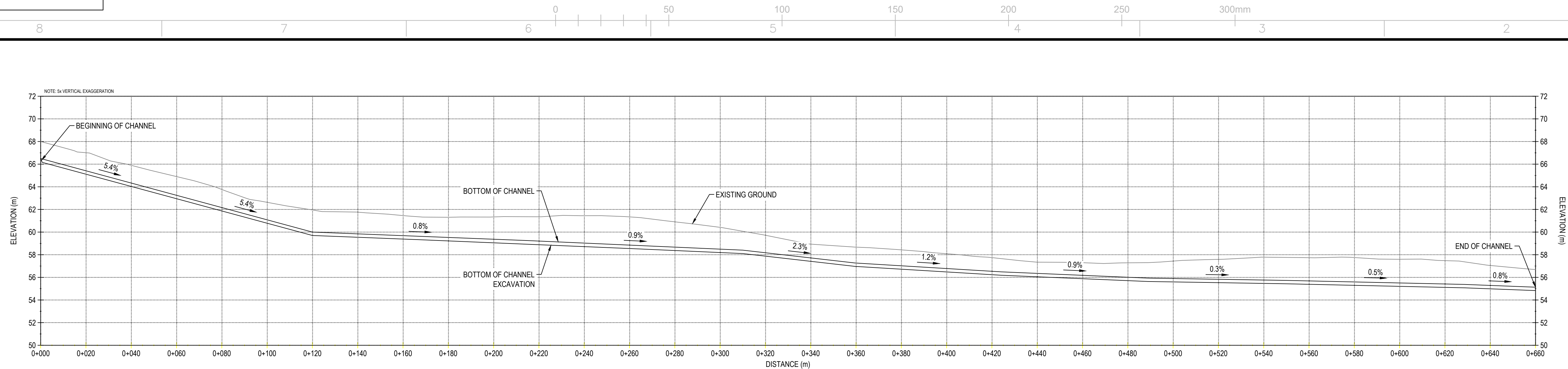
REVISIONS

REV.	DATE	ISSUED FOR USE	DESCRIPTION	CHK	NG

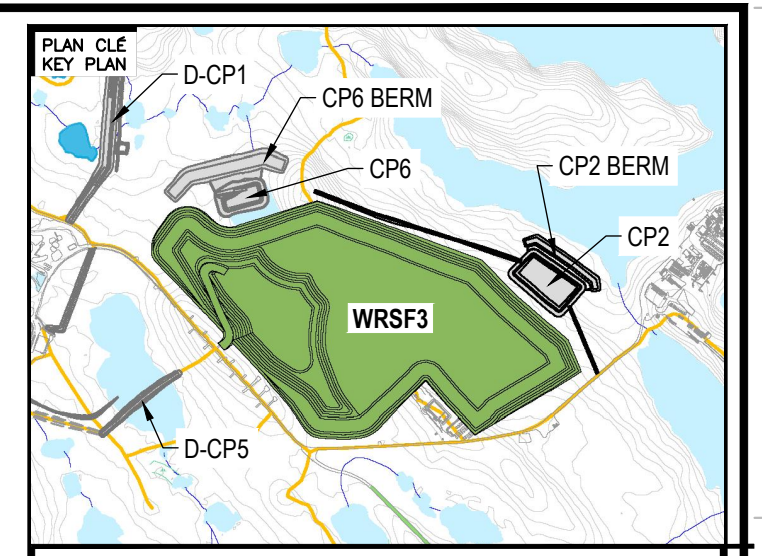
TITRE / TITLE
 AGNICO EAGLE MELIADINE GOLD PROJECT
 JULY 2020 WATER LICENSE AMENDMENT
 MELIADINE WRSF3
 SECTIONS A TO D

DESSINÉ PAR / DRAWN BY	EL	DATE / DATE	2020-07-03
VÉRIFIÉ PAR / CHECKED BY	HX	DATE / DATE	2020-07-03
APPROUVÉ PAR / APPROVED BY	NG	DATE / DATE	2020-07-03
ÉCHELLE / SCALE	1:750	DATE / DATE	2020-07-03

NO. DESSIN / DRAWING NO.	FIGURE 3		
NO. PROJET / PROJECT NO.	6515	REVISION	0
		FEUILLE / SHF	3 / 5



ITEM	UNITS	ESTIMATED IN-PLACE QUANTITY
TOTAL CHANNEL EXCAVATION VOLUME	m ³	11,000
VOLUME OF RIPRAP FOR CHANNELS	m ³	2,200
NON-WOVEN GEOTEXTILE	m ²	7,600



- NOTES GÉNÉRALES / GENERAL NOTES**
- DIMENSIONS ARE IN METERS UNLESS SPECIFIED OTHERWISE
 - CP2 WAS DESIGNED TO STORE 3/7 OF EQUIVALENT UNIT RUNOFF DURING SPRING FRESHET FOR 1 IN 100 WET YEAR (73.3 mm)
 - CHANNELS (CHANNEL9 AND CHANNEL10) WERE DESIGNED TO PASS AN EXTREME INTENSITY FLOW UNDER A 5-MINUTE 1 IN 100 RETURN RAINFALL (5.0 mm)

DESSINS EN RÉFÉRENCE / REFERENCE DRAWINGS

TITRE / TITLE	# DWG
---	---
---	---
---	---
---	---
---	---

AGNICO EAGLE

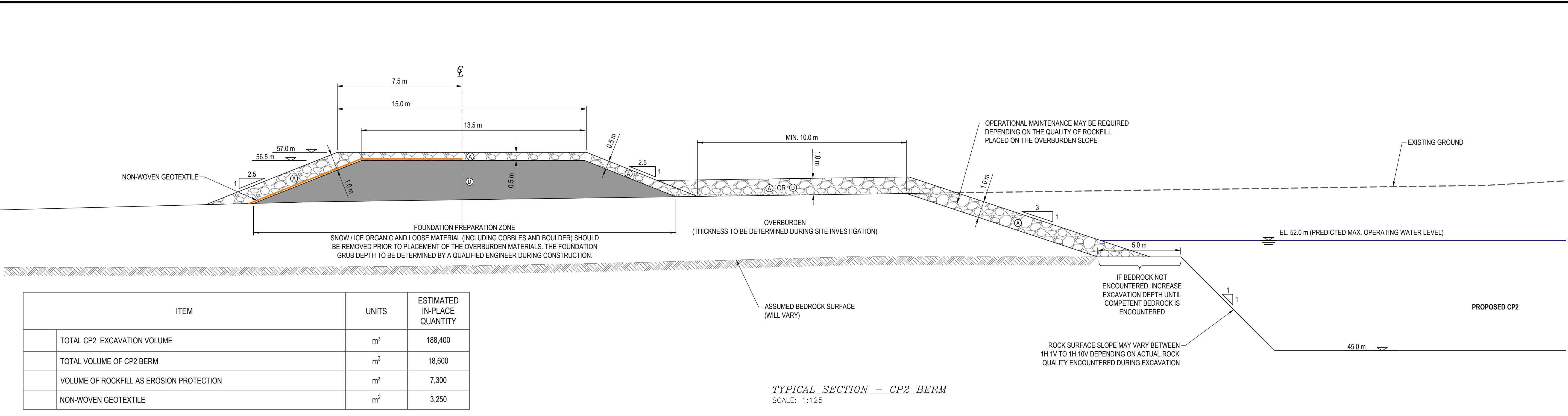
REV.	DATE	ISSUED FOR USE	DESCRIPTION	CHK	NG
0	07/22/20	ISSUED FOR USE		HX	NG

REVISIONS

TITRE / TITLE
AGNICO EAGLE MELIADINE GOLD PROJECT JULY 2020 WATER LICENSE AMENDMENT
CHANNELS PROFILE AND TYPICAL CROSS-SECTION

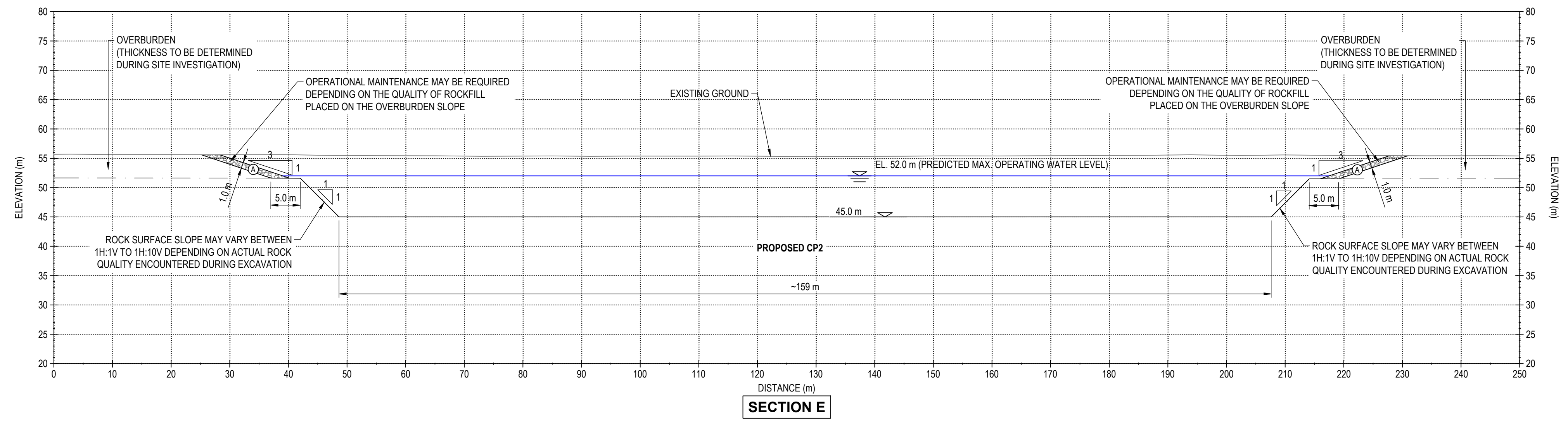
DESSINÉ PAR DRAWN BY	EL	DATE	2020-07-03
VÉRIFIÉ PAR CHECKED BY	HX	2020-07-03	
APPROUVÉ PAR APPROVED BY	NG	2020-07-03	
ÉCHELLE SCALE	AS SHOWN	DATE	2020-07-03

NO. DESSIN DRAWING NO.	FIGURE 4		
6515	REVISION	FEUILLE / SHF	0 / 5

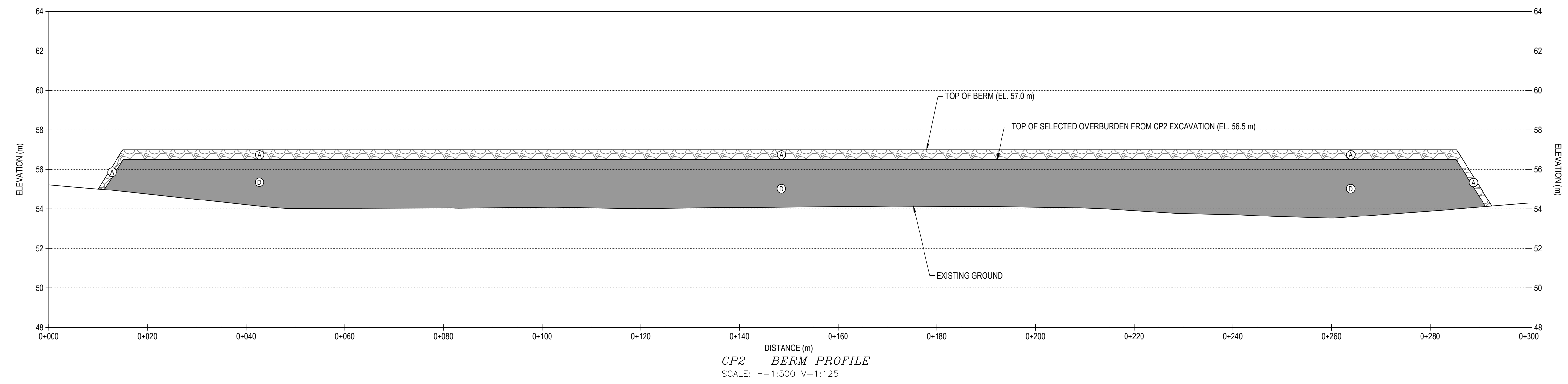


ITEM	UNITS	ESTIMATED IN-PLACE QUANTITY
TOTAL CP2 EXCAVATION VOLUME	m ³	188,400
TOTAL VOLUME OF CP2 BERM	m ³	18,600
VOLUME OF ROCKFILL AS EROSION PROTECTION	m ³	7,300
NON-WOVEN GEOTEXTILE	m ²	3,250

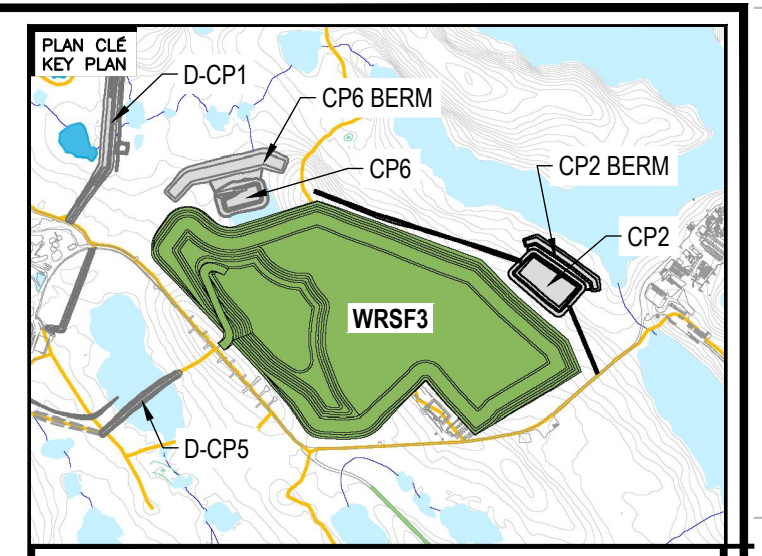
TYPICAL SECTION - CP2 BERM
SCALE: 1:125



SECTION E



CP2 - BERM PROFILE
SCALE: H=1:500 V=1:125



NOTES GÉNÉRALES / GENERAL NOTES

- DIMENSIONS ARE IN METERS UNLESS SPECIFIED OTHERWISE
 - OVERBURDEN THICKNESS AROUND CP2 AREA IS ASSUMED TO BE 4.0 m. THE ACTUAL OVERBURDEN THICKNESS TO BE DETERMINED DURING FUTURE SITE INVESTIGATION PROGRAMS
 - CP2 WAS DESIGNED TO STORE 3/7 OF EQUIVALENT UNIT RUNOFF DURING SPRING FRESHET FOR 1 IN 100 WET YEAR (73.3 mm)
 - CHANNELS (CHANNEL 9 AND CHANNEL 10) WERE DESIGNED TO PASS AN EXTREME INTENSITY FLOW UNDER A 5-MINUTE 1 IN 100 RETURN RAINFALL (5.0 mm)
- (A) PIT-RUN OR QUARRY ROCKFILL
 - (B) TRANSITION ROCKFILL
 - (C) LINER BEDDING TILL
 - (D) TILL FILL
 - (E) TILL FILTER FILL
 - (F) ROAD SURFACES FILL
 - (G) RIP RAP

INFORMATION CONTAINED HEREIN IS THE PROPERTY OF AGNICO EAGLE LTD. AND MUST BE RETURNED UPON REQUEST. WITHOUT WRITTEN PERMISSION, NO COPYING, TRANSMISSION, TO OTHERS AND ANY USE EXCEPT THAT FOR WHICH IT IS ISSUED ARE PROHIBITED. © AGNICO EAGLE LTD.

DESSINS EN RÉFÉRENCE / REFERENCE DRAWINGS

TITRE / TITLE	# DWG



REV.	DATE	ISSUED FOR USE	DESCRIPTION	CHK	NG
0	07/22/20	ISSUED FOR USE		HX	NG

REVISIONS

NO.	DATE	DESCRIPTION

TITRE / TITLE
AGNICO EAGLE MELIADINE GOLD PROJECT
JULY 2020 WATER LICENSE AMENDMENT
CP2 TYPICAL SECTION AND
CP2 THERMAL PROTECTION BERM PROFILE

DESSINÉ PAR DRAWN BY	EL	DATE 2020-07-03
VÉRIFIÉ PAR CHECKED BY	HX	2020-07-03
APPROUVÉ PAR APPROVED BY	NG	2020-07-03
ÉCHELLE SCALE	AS SHOWN	DATE 2020-07-03

NO. DESIGN DRAWING NO.	FIGURE 5
NO. PROJECT PROJECT NO.	6515
REVISION	0
FEUILLE / SHÉ	5 / 5