



March 29, 2022

NIRB File No.: 11MN034

Nunavut Impact Review Board
PO Box 1360
Cambridge Bay, NU X0B 0C0

Re: Agnico Eagle's Submission to Commitment Number 9 from the Waterline Application

Agnico Eagle Mines Limited (Agnico Eagle) is submitting this notice in compliance with Commitment No. 9 made during the regulatory review of the waterline application, which states:

Commitment: During the construction phase, Agnico Eagle commits to no open trenches during the caribou migration. Agnico Eagle will advance construction by sections and consider caribou migration into the construction schedule.

Form of Submission: Agnico will include practice in the 60-day construction notice and photos

For completeness of this commitment, during the construction phase of the waterline, Agnico Eagle hereby commits to not leaving any open trenches during the caribou migration. Agnico Eagle will advance construction by sections and consider caribou migration into the construction schedule. A high-level construction schedule is provided in Attachment A. Attachment B shows the overall layout of the waterline with respect to the All-weather Access Road and Rankin Inlet Bypass Road. Design drawings that will be used for the waterline are provided in Attachment C.

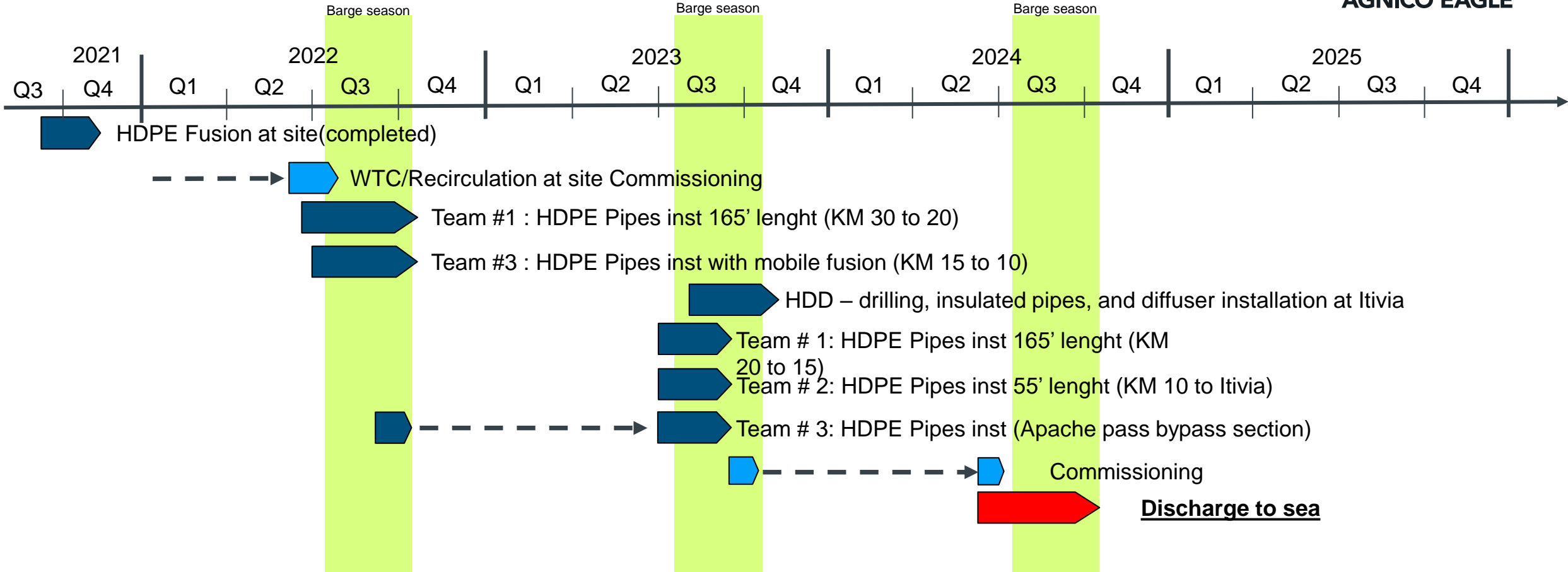
Sincerely,

Manon Turmel
Permitting Technical Advisor
Agnico Eagle Mines Limited

MELIADINE WATERLINE – REVISED EXECUTION PLAN (SEPT. 2021)



AGNICO EAGLE





LEGEND :
— NOT COVERED PIPE
— COVERED PIPE
— MINE SECTION



SNC-LAVALIN
 SNC-Lavalin Stabilité Inc.
 150, rue Gamble Ouest
 Rouyn-Noranda (Québec) J8X 2B7
 Tél. : 819 784-5151 Téléc. : 819 787-0158
 www.snc-lavalin.com

Projet No. : 674195
NOTES GÉNÉRALES / GENERAL NOTES

COORDINATES SYSTEMS
 UTM15-RKI (-0+250 TO 13+000) :
 UTM15 NAD83 CSRS/SCRS (GEOID HT V2.0)
 BENCHMARK CCM-14-92977013 :
 EAST : 545280.004
 NORTH : 6965803.749
 ELE : 19.045
 UTM15-MEL (13+000 TO 35+000) :
 UTM15 NAD83 (GEOID HT V2.0)
 BENCHMARK CCM-14-92977013 :
 EAST : 545279.894
 NORTH : 6965802.926
 ELE : 22.598

POUR COMMENTAIRES / FOR COMMENTS
 DATE : 2020-10-05

INFORMATION CONTAINED HEREIN IS THE PROPERTY OF AGNICO EAGLE LTD. AND MUST BE RETURNED UPON REQUEST. WITHOUT WRITTEN PERMISSION, NO PART OF THIS DOCUMENT IS TO BE REPRODUCED OR TRANSMITTED IN ANY FORM OR BY ANY MEANS, ELECTRONIC OR MECHANICAL, INCLUDING PHOTOCOPYING, RECORDING, OR BY ANY INFORMATION STORAGE AND RETRIEVAL SYSTEM.

DESSINS EN RÉFÉRENCE / REFERENCE DRAWINGS

TITRE / TITLE	# DWG



REV.	DATE	DESCRIPTION	PAR/BY	APP.	CLIENT
A	2020/10-05	FOR COMMENTS	A.L.	A.L.	B.R.

REVISIONS

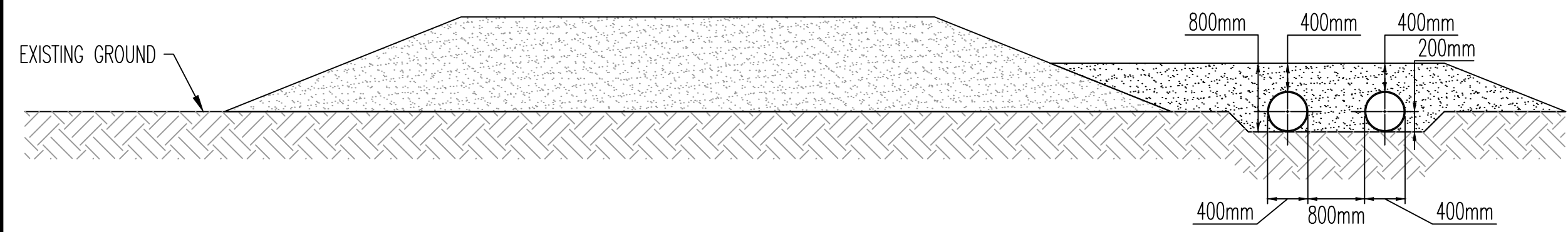
TITRE / TITLE
 AGNICO EAGLE - MELIADINE DIVISION
 180 - SALINE EFFLUENT DISCHARGE SYSTEM
 230 - GENERAL EARTH WORKS
 PLAN
 DISCHARGE TO SEA
 BURIED WATERLINE LOCALIZATION

DESSINÉ PAR / DRAWN BY	PATRICK BUREAU, Tech.	DATE	2020/10/05
VÉRIFIÉ PAR / CHECKED BY	ANDRÉ LEVESQUE, P.Eng.	DATE	2020/10/05
APPROUVÉ PAR / APPROVED BY	ANDRÉ LEVESQUE, P.Eng.	DATE	2020/10/05

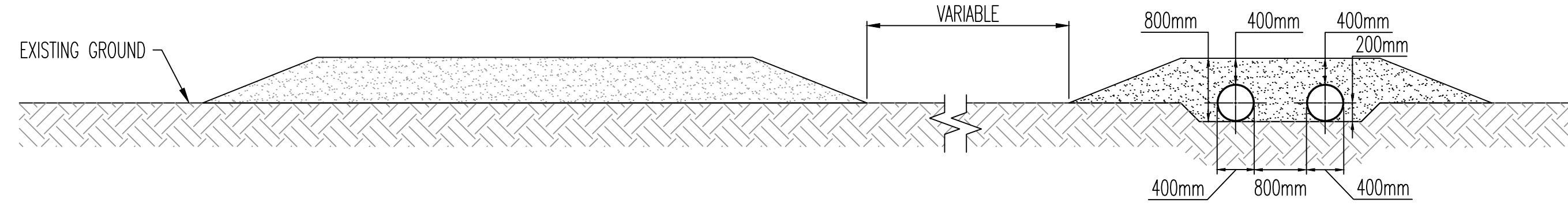
ÉCHELLE / SCALE 1:40000 DATE 2020/10/05

NO. DESSIN / DRAWING NO. 65-180-230-245

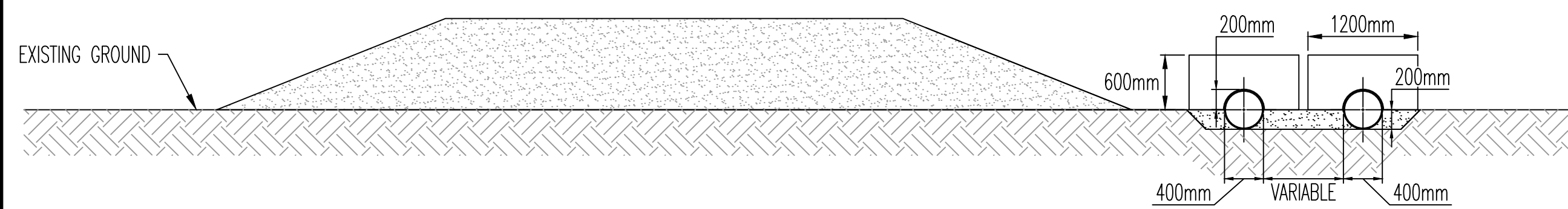
NO. PROJET / PROJECT NO.	6526	REVISION	A	FEUILLE / SHEET	1 / 1
--------------------------	------	----------	---	-----------------	-------



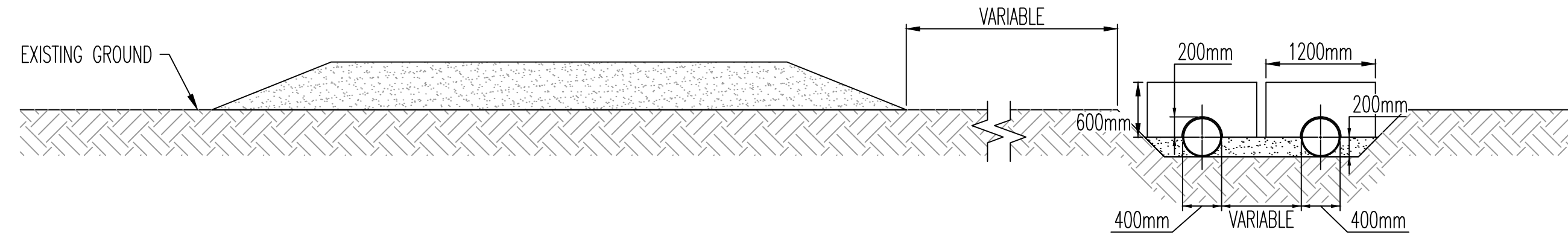
WELL DRAINED OVERBURDEN – ROAD EMBANKMENT TYPICAL SECTION 1
SCALE 1:50



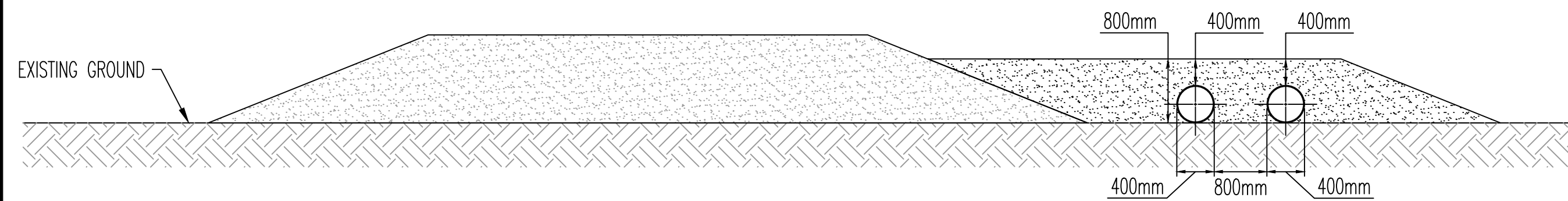
WELL DRAINED OVERBURDEN – ROAD EMBANKMENT TYPICAL SECTION 2
SCALE 1:50



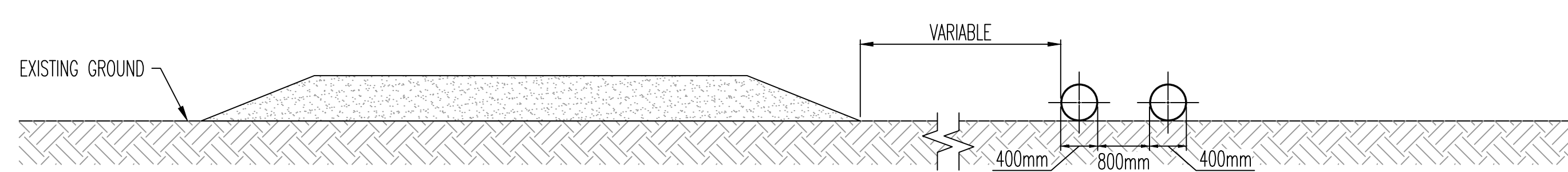
WET OVERBURDEN – ROAD EMBANKMENT TYPICAL SECTION 1
SCALE 1:50



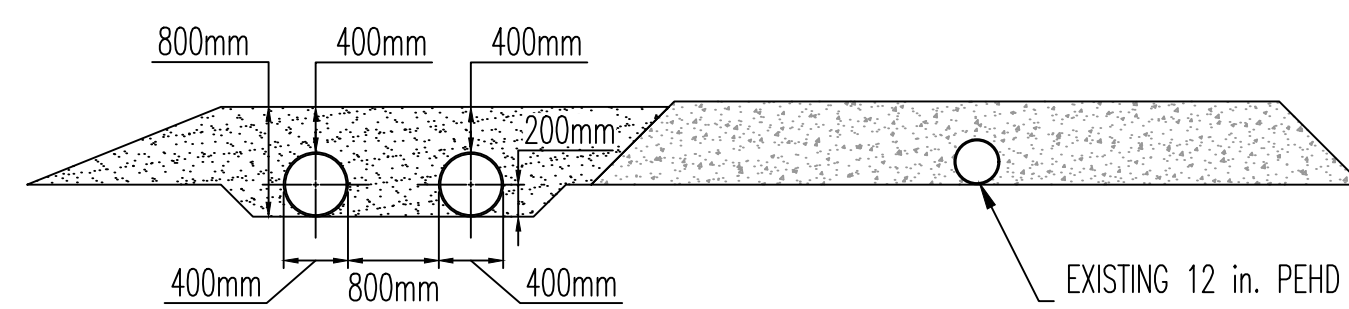
WET OVERBURDEN – ROAD EMBANKMENT TYPICAL SECTION 2
SCALE 1:50



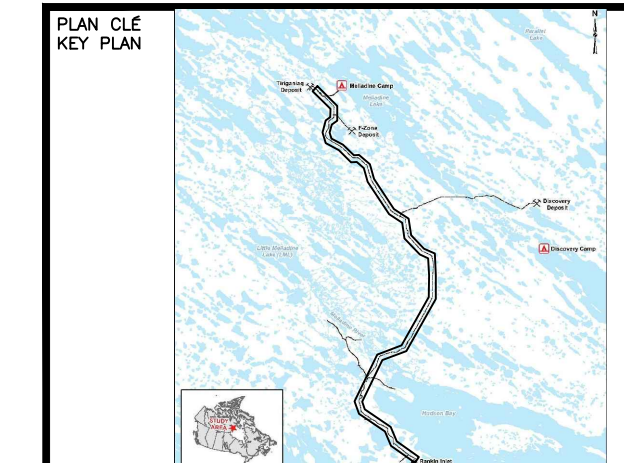
ROCK SURFACE – ROAD EMBANKMENT TYPICAL SECTION 1
SCALE 1:50



ROCK SURFACE – ROAD EMBANKMENT TYPICAL SECTION 2
SCALE 1:50



APACHE PASS
SCALE 1:50



SNC-Lavalin Stabilité Inc.
150, rue Gamble Ouest
Rouyn-Noranda (Québec) J8X 2B7
TEL. : 819 784-5151 FAX : 819 787-0158
www.snc-lavalin.com

Projet No. : 674195

NOTES GÉNÉRALES / GENERAL NOTES

**POUR COMMENTAIRES
FOR COMMENTS**
AGNICO EAGLE
DATE : 2020-10-05

INFORMATION CONTAINED HEREIN IS THE PROPERTY OF AGNICO EAGLE LTD. AND MUST BE RETURNED UPON REQUEST. WITHOUT WRITTEN PERMISSION, NO OTHER REPRODUCTION, DISSEMINATION OR USE IS PERMITTED. © AGNICO EAGLE LTD.

DESSINS EN RÉFÉRENCE / REFERENCE DRAWINGS

TITRE / TITLE	# DWG.



REV.	DATE	DESCRIPTION	PAR/BY	APP.	CLIENT
C	2020/10/05	FOR COMMENTS	A.L.	A.L.	B.R.
B	2020/08/18	FOR COMMENTS	A.L.	A.L.	B.R.
A	2020/08/07	FOR COMMENTS	V.J.T.	A.L.	B.R.

REVISIONS

TITRE / TITLE
AGNICO EAGLE – MELIADINE DIVISION
180 – SALINE EFFLUENT DISCHARGE SYSTEM
230 – GENERAL EARTH WORKS
SECTIONS
WATERLINE SECTION DRAWING

DESSINÉ PAR / DRAWN BY ISABELLE PICHE, Tech. DATE 2020/05/19

VÉRIFIÉ PAR / CHECKED BY VINCENT JODOIN-TÉTREAU, P.Eng. 2020/05/19

APPROUVÉ PAR / APPROVED BY ANDRÉ LEVESQUE, P.Eng. 2020/05/19

ECHELLE / SCALE LIKE INDICATED DATE 2020/05/19

NO. DESSIN / DRAWING NO. 65-180-230-246

NO. PROJET / PROJECT NO. 6526 REVISION C FEUILLE / SHEET 1 / 1